



# SPOTLIGHT

## FLANGELESS 3" RECESSED

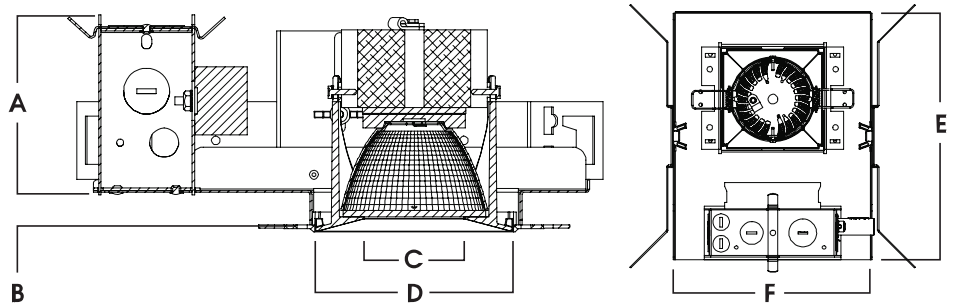
From Spectrum Lighting

Spectrum Lighting is a Massachusetts-based manufacturer of a range of lighting solutions, ranging from recessed and multiples to pendants and RLM classics. Their USA based manufacturing plant and in-house fabrication allows for strict production control and high-quality products.

Their flangeless-trim 3" recessed fixture creates a unique look for both commercial and high-end residential applications. The trim, which has both an aluminum finish edge and a die-cast mesh plaster fitter, allows for plastering up to the trim edge for a seamless finish and sophisticated final appearance.

Available in either square or round aperture, the series can be ordered as either a downlight, wall wash or internally-adjustable recessed.

The LED recessed series features Osram LED's with 3-step binning and a minimum CRI of 84 (with 90 CRI options available), and can be ordered with a range of dimming options. Spectrum Lighting runs a state-of-the-art powder coat process which allows the flangeless trim to be customized with over 10 finishes, and custom finish options.



Spectrum fixtures are ARRA Compliant and Made in the USA.

#### DRIVER OPTIONS:

- Electronic, Non-Dimming
- ELV LMV 1% Phase Dimming (120v Only)
- 0-10V Dimming to 10%
- 0-10V Dimming to 1%
- ELDO LED 0-10V Dimming to 1%
- Lutron ELV/MLV 1% Phase Dimming (120v Only)
- Lutron ECO System 1% Dimming
- DMX Control Dimming

LED	A	B	C	D	E	F
OC10L	3.42	.625	1.9	3.8	9.57	7.65
OC20L	3.79	.625	1.9	3.8	9.57	7.65
OC30L	4.11	.625	1.9	3.8	9.57	7.65
OC20L	3.79	.625	1.9	3.8	9.57	7.65

Ceiling Cutout: 4.12 Sq